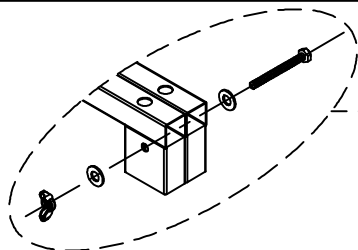
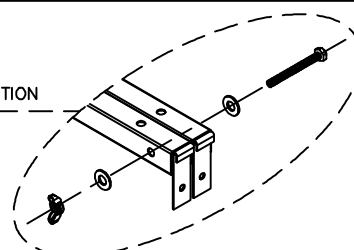


STEP 1

INSERT "J" LEG PANEL THEN INSERT LEG INTO "J" LEG

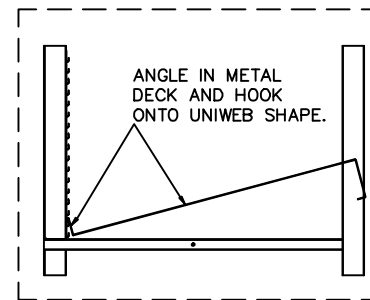


OPTION WITH MORE THAN ONE WORKSTATION



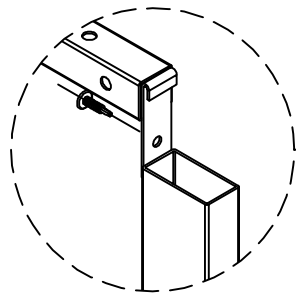
BOLT EACH LEG & ROD WITH
1/4"-20x2-1/2"L HEX BOLT
1/4"Ø WASHER
1/4"-20 WING NUT

BOLT EACH LEG & ROD WITH
1/4"-20x2-1/2"L HEX BOLT
1/4"Ø WASHER
1/4"-20 WING NUT



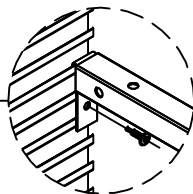
STEP 4

ANGLE IN METAL DECK AND HOOK ONTO UNIWEB SHAPE.



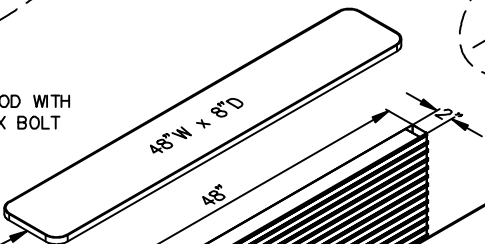
STEP 2

SLIDE COUNTER ROD INTO "J" LEG AND PANEL FOR MORE STABILITY. SCREW EACH ROD WITH #10x3/4"L MOD TRUSS (SELF DRILLING SCREW)



EXTERIOR PANEL (1)

48" KICK PLATE

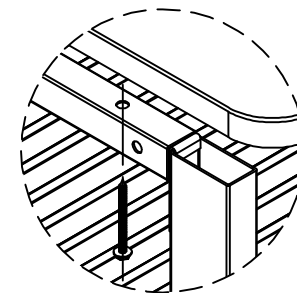


PONY SHELF (1)

COUNTER TOP

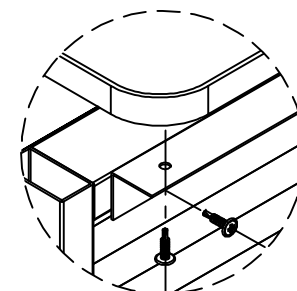


COUNTER TOP ROD 24-15/16" (2)

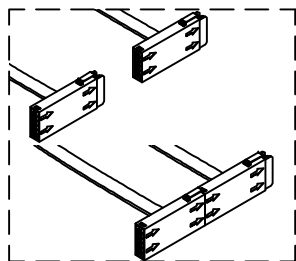


STEP 5

SCREW THROUGH COUNTER TOP ROD AND INTO COUNTER TOP

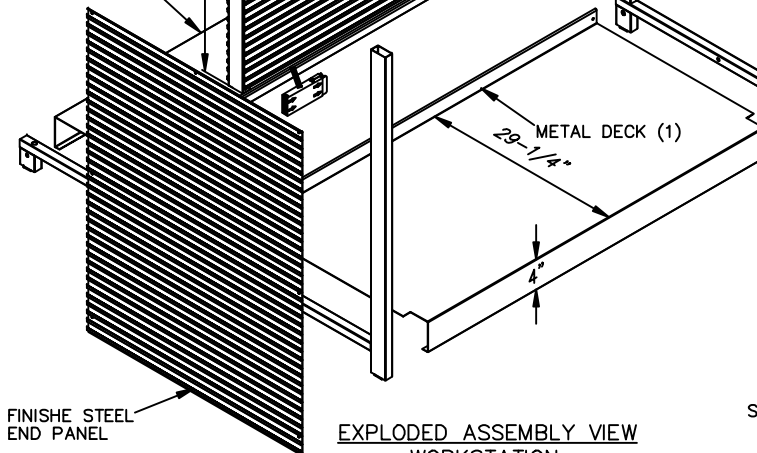


STEP 6
SCREW L BRACKET TO STIFFENER AND PONY SHELF (MAKE SURE PONY SHELF IS STRAIGHT AND LEVEL)

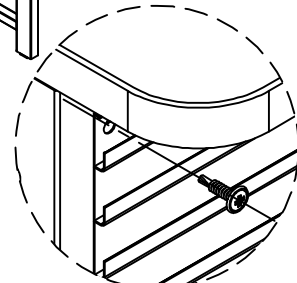


STEP 3

CONNECT ALL ELECTRICAL BY DASY CHAINS THEM TOGETHER (MAKE TO FOLLOW FLOW ARROWS)



EXPLODED ASSEMBLY VIEW WORKSTATION



STEP 7

SCREW PANEL INTO STIFFENER AFTER THE PONY SHELF L BRACKET IS PUT IN

REFERENCE KEY

UNIWEB Part#

UNIWEB, INC.

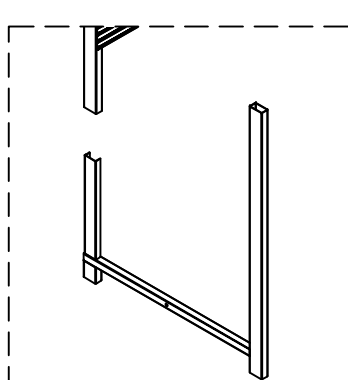
222 So. Promenade Ave. Corona, California 92879 (909) 279-7999 800 4-UNIWEB UNIWEBINC.COM

DATE 5-9-02
SCALE N.T.S.
DRN A.M.

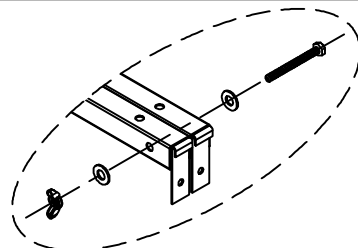
CUSTOMER

DESCRIPTION

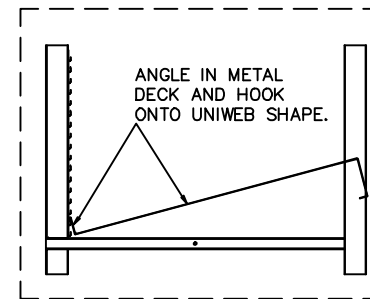
48" Workstation Installation



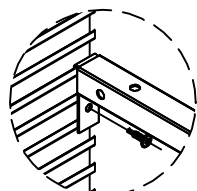
STEP 1
INSERT "J" LEG PANEL THEN INSERT LEG INTO "J" LEG



BOLT EACH LEG & ROD WITH
1/4"-20x2-1/2"L HEX BOLT
1/4"φ WASHER
1/4"-20 WING NUT



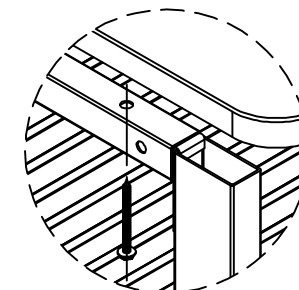
STEP 4



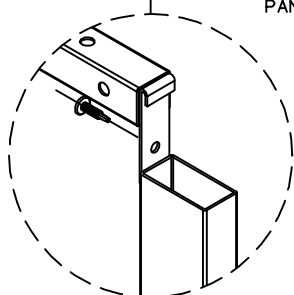
STEP 2
SLIDE COUNTER ROD INTO "J" LEG AND PANEL FOR MORE STABILITY
SCREW EACH ROD WITH #10x3/4"L MOD TRUSS (SELF DRILLING SCREW)

EXTERIOR PANEL (2)

PONYSHELF (1)

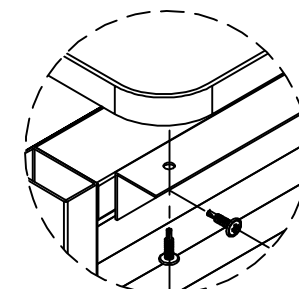


STEP 5
SCREW THROUGH COUNTER TOP ROD AND INTO COUNTER TOP



COUNTER TOP ROD

METAL DECK (2)

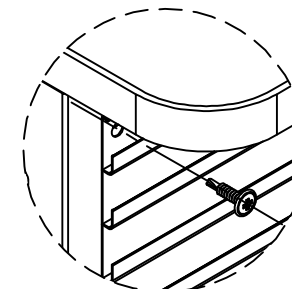


STEP 6
SCREW L BRACKET TO STIFFENER AND PONY SHELF (MAKE SURE PONY SHELF IS STRAIGHT AND LEVEL)

FINISHED STEEL END PANEL (2)

COUNTER TOP (2)

J-LEG



STEP 7
SCREW PANEL INTO STIFFENER AFTER THE PONY SHELF L BRACKET IS PUT IN

EXPLODED ASSEMBLY VIEW
WORKSTATION

REFERENCE KEY

UNIWEB Part#

UNIWEB, INC.

222 So. Promenade Ave. Corona, California 92879 (909) 279-7999 800 4-UNIWEB UNIWEBINC.COM

DATE 4-1-03
SCALE N.T.S.
DIN A.M.

CUSTOMER

DESCRIPTION

Workstation Installation