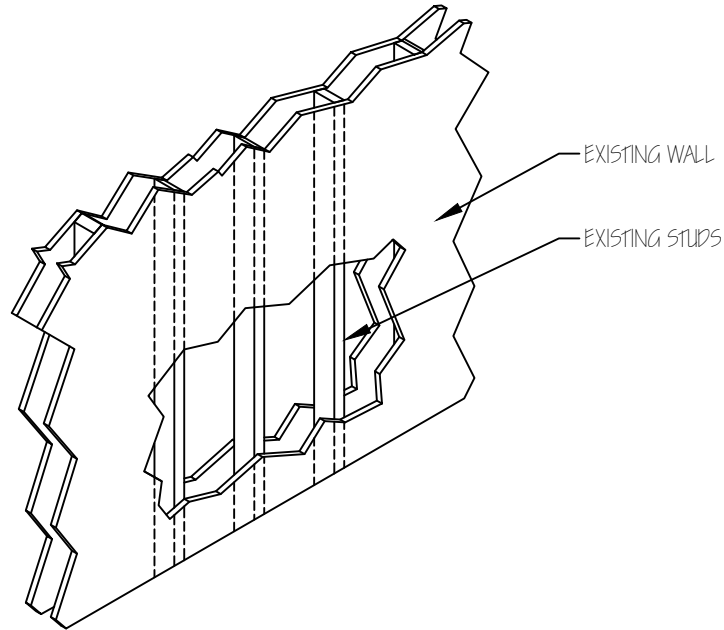


# UNIWEB INC.

## Installation Instructions

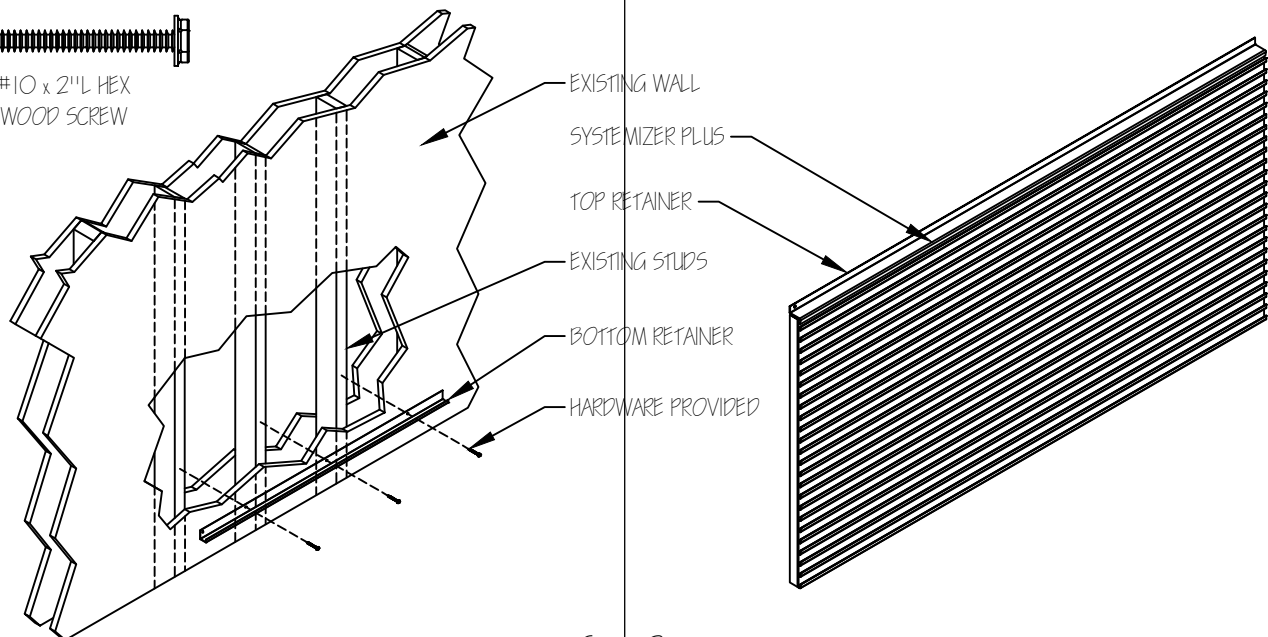


### Step 1:

With a stud finder, mark all the stud's on the wall in the place where you are going to install the Systemizer Plus



#10 x 2" L HEX  
WOOD SCREW



### Step 2:

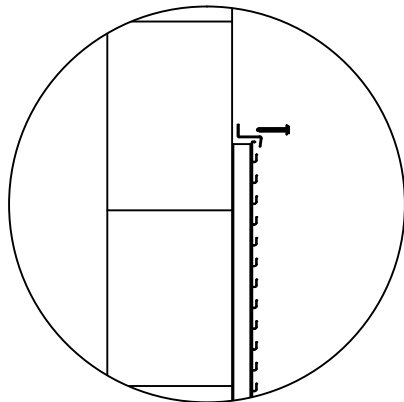
Measure the distance of the studs and then mark and pre-drill holes into the bottom and top retainer

### Step 3:

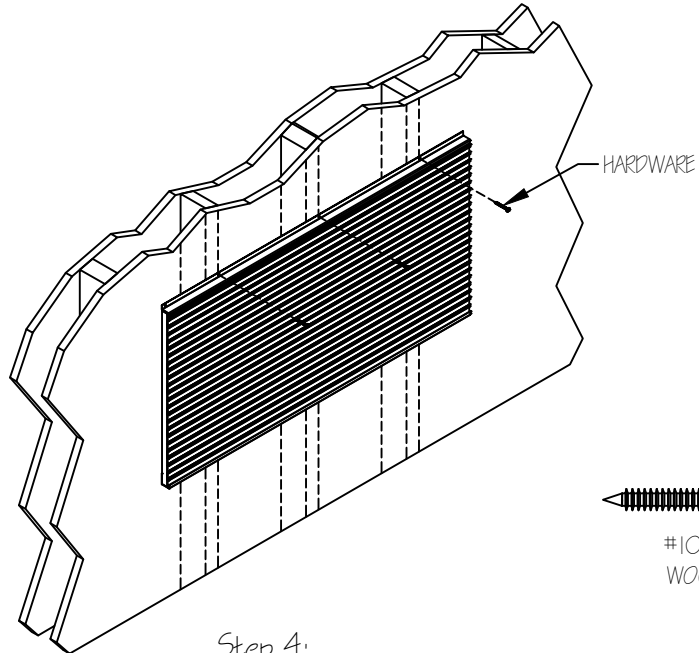
Screw bottom retainer into the studs through pre-drill holes using the hardware provided

# UNIWEB INC.

## Installation Instructions

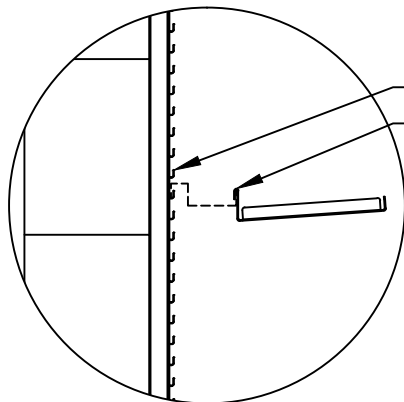


SIDED VIEW

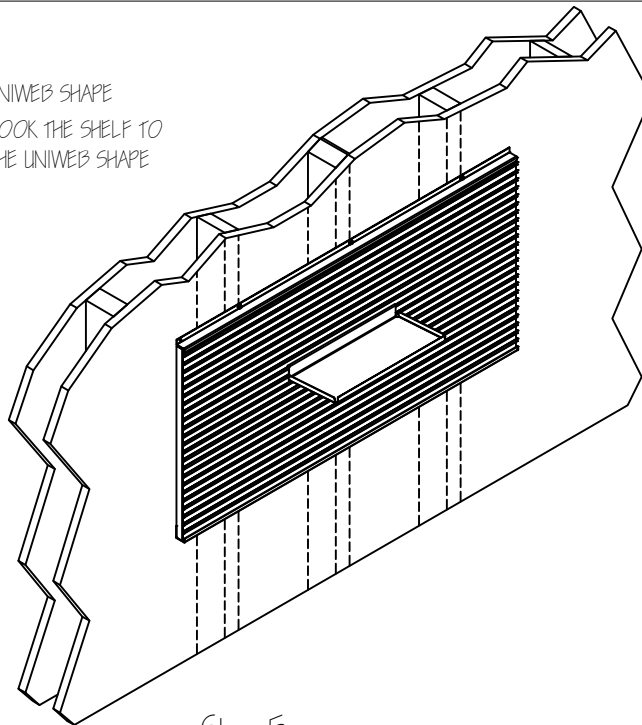


Step 4:

Place the Welded panel into the bottom retainer at an angle, Then push the panel flush to the wall and fasten through the top retainer and into the studs!



SIDED VIEW

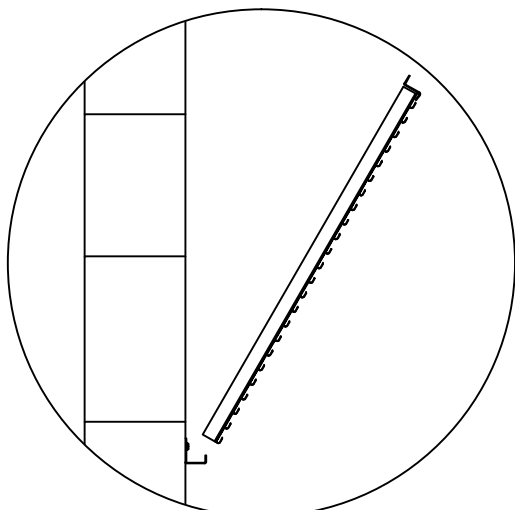


Step 5:

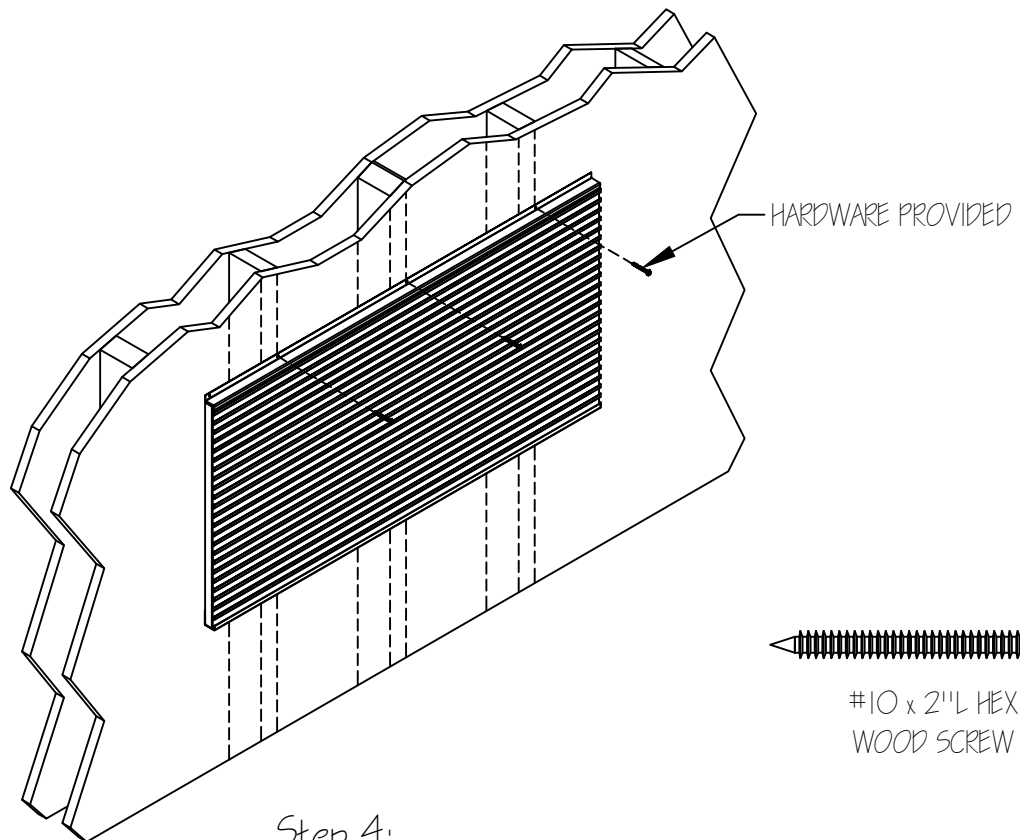
Arrange accessories onto the patented Uniweb shape as desired

# UNIWEB INC.

## Installation Instructions

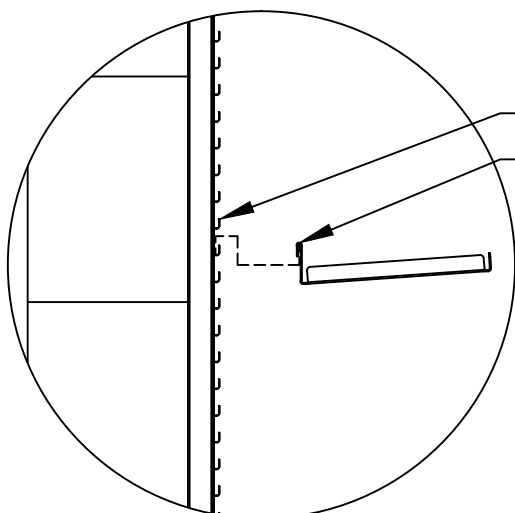


SIDED VIEW



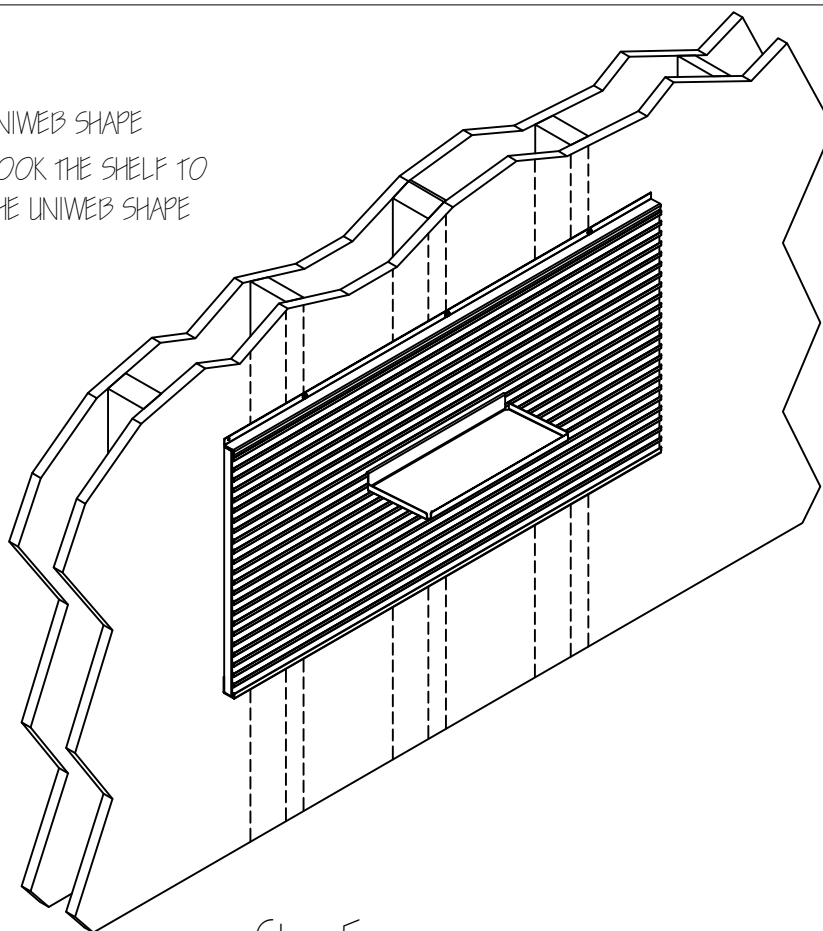
Step 4:

Place the Welded panel into the bottom retainer at an angle, Then push the panel flush to the wall and fasten through the top retainer and into the studs!



SIDED VIEW

UNIWEB SHAPE  
HOOK THE SHELF TO  
THE UNIWEB SHAPE



Step 5:

Arrange accessories onto the patented Uniweb shape as desired