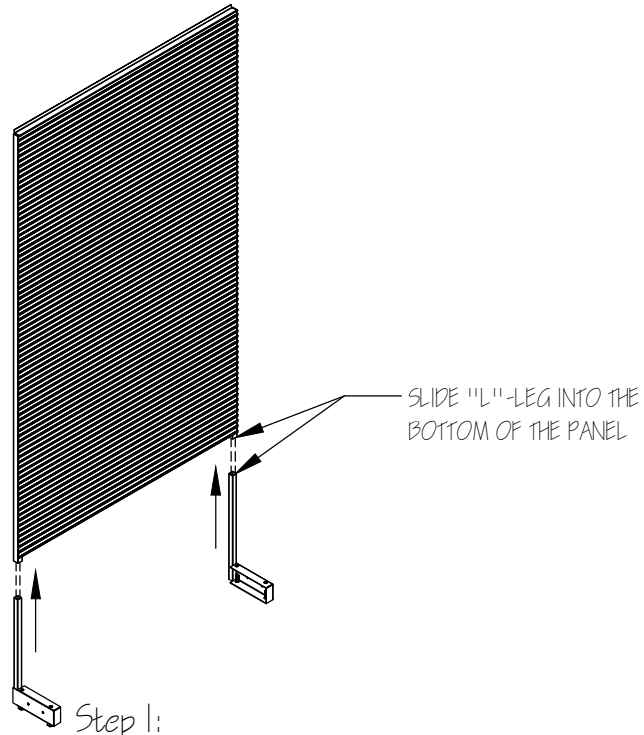
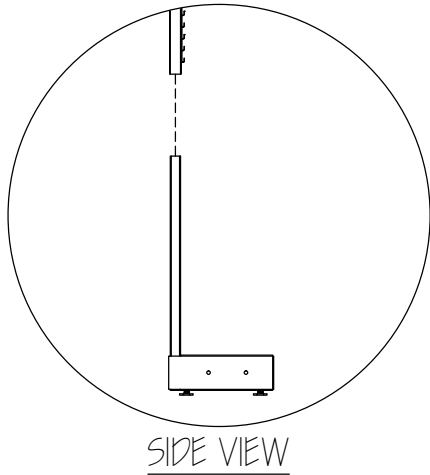


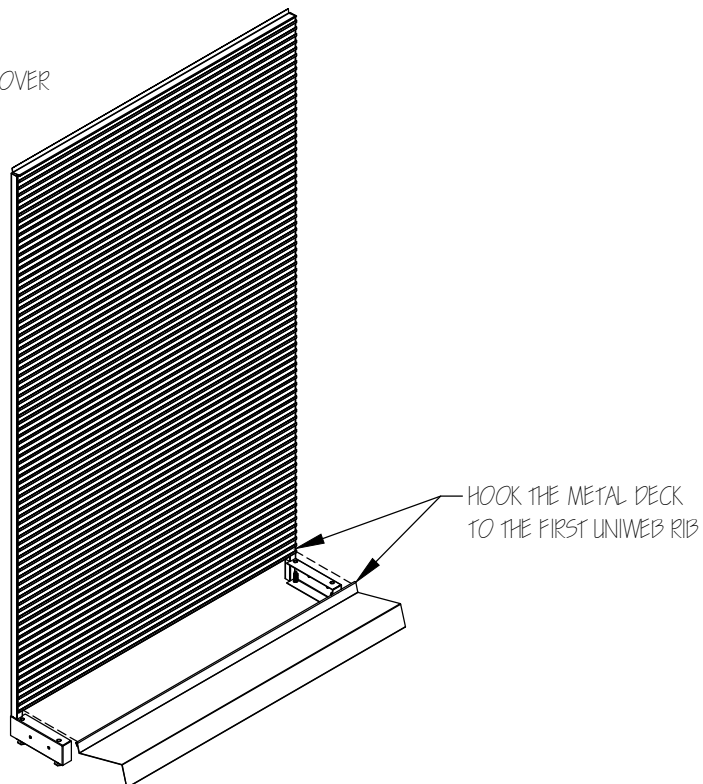
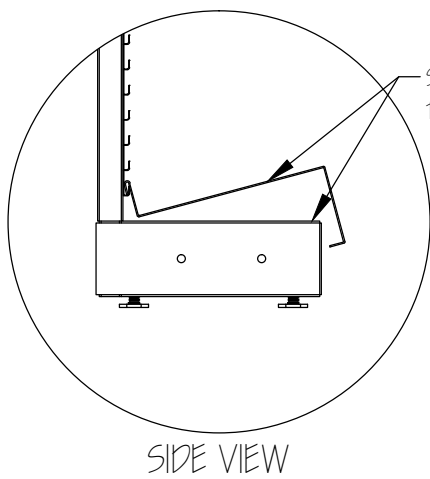
UNIWEB INC.

Installation Instructions



NOTE: CAN BE INSERTED
PARALLEL AS AN OPTION

Slide the "L"-leg into the bottom of the Uniweb panel, While the panel is laying shape up on the floor

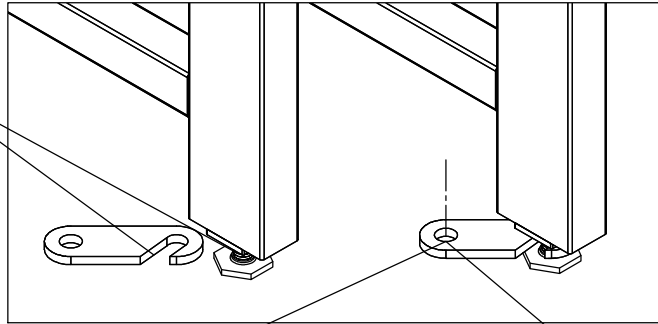


Hook the metal deck to the first Uniweb rib, Then snap the metal deck over the "L"-leg

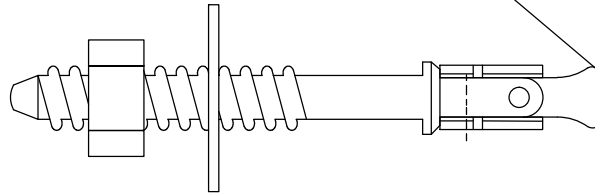
UNIWEB INC.

Installation Instructions

FIRST, HOOK
ANCHOR ONTO
ADJ. LEVELER



SECOND, POSITION
ANCHOR TOWARDS
INSIDE OF WORK
AREA AND BOLT
ANCHOR TO THE
GROUND

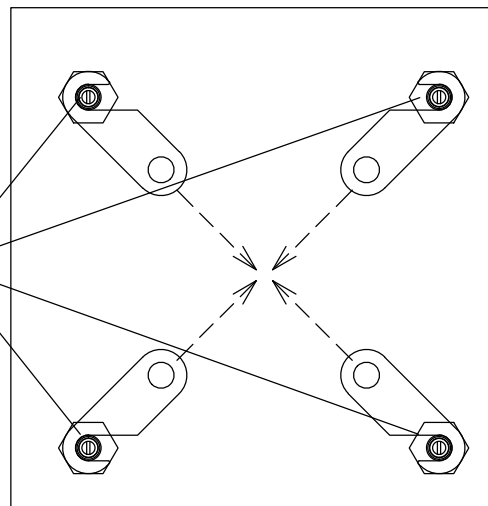


ANCHOR NOTE

USE HILTI KWIK BOLT II
3/8 x 4

MAKE SURE ANCHOR
BRACKETS ARE ALL
FACE IN THE OPPOSITE
DIRECTION

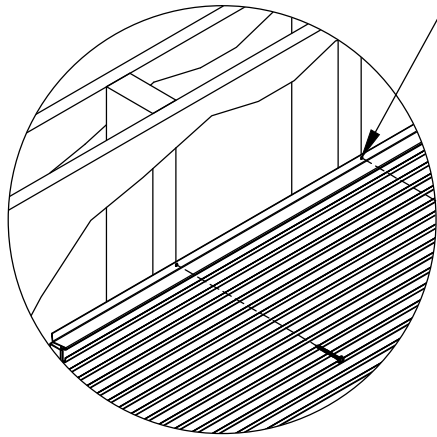
ANCHOR BRACKET IS
8GA. 3"L x 1"W



ANCHOR PATTERN EXAMPLE

UNIWEB INC.

Installation Instructions

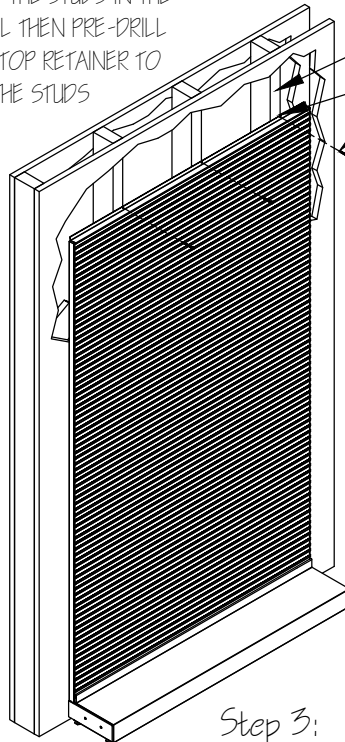


ENLARGED VIEW



#10 x 2" L HEX WOOD SCREW

FIND THE STUDS IN THE WALL THEN PRE-DRILL THE TOP RETAINER TO HIT THE STUDS



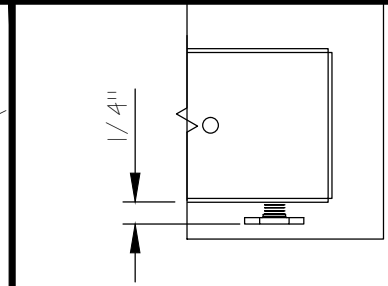
EXISTING STUDS

SCREW THE PANEL INTO THE STUDS

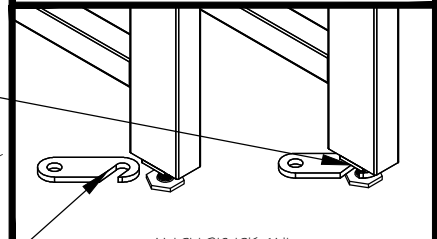
SECOND POSITION ANCHOR TOWARDS INSIDE OF WORK AREA AND BOLT ANCHOR TO THE GROUND

FIRST HOOK ANCHOR ONTO ADJ. LEVELER

Step 3:



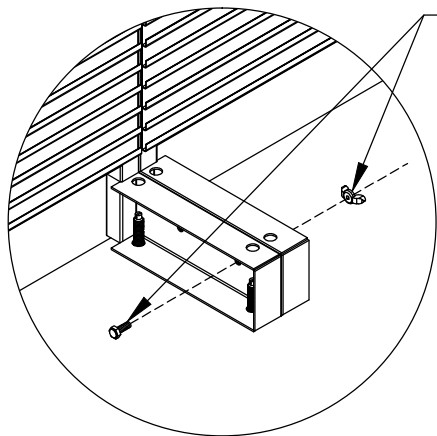
SET ALL LEVELERS AT 1/4"



ANCHOR DETAIL

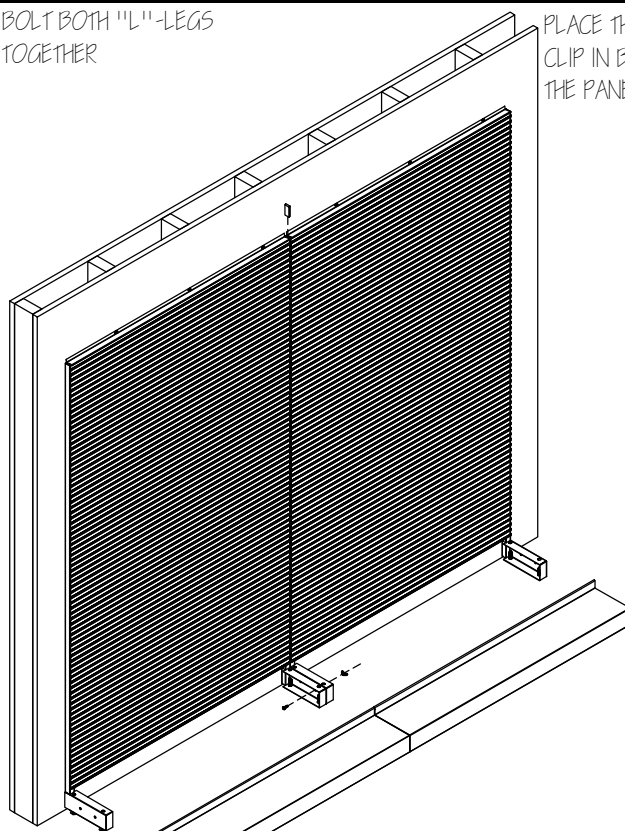
TO BE INSTALLED BY G.C. USING POWER WEDGE BOLT EXPREEE FASTENERS - 3/8" X 2-1/8" (REPEAT PROCESS FOR EVERY ADJ. LEVELER)

Place the panel against the wall and then screw the panel to the wall through the pre-drilled holes

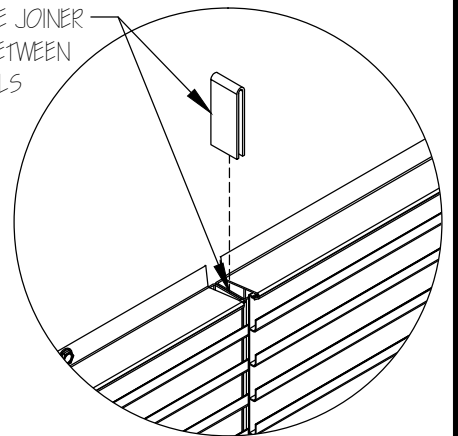


ENLARGED VIEW

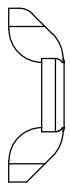
BOLT BOTH "L"-LEGS TOGETHER



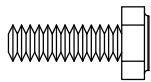
PLACE THE JOINER CLIP IN BETWEEN THE PANELS



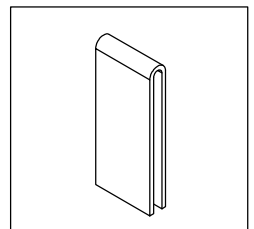
ENLARGED VIEW



WING NUT 1/4-20



HEX BOLT 1/4-20 x 3/4



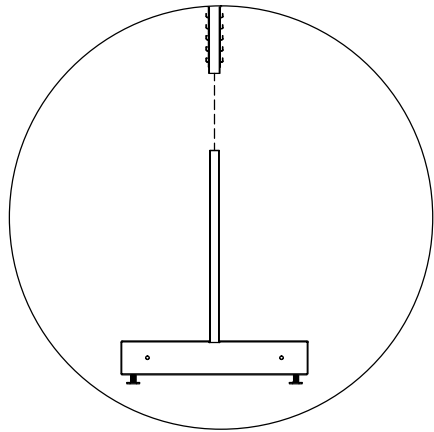
1" JOINER CLIP

Step 4:

Place joiner clip in between the panels. Bolt the "L"-leg together, Then snap the metal deck into place.

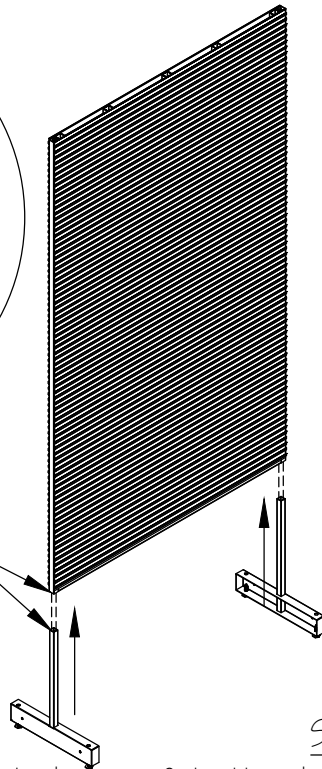
UNIWEB INC.

Installation Instructions



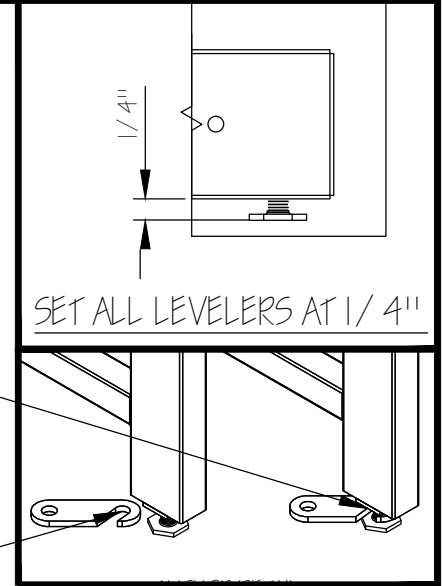
SIDED VIEW

SLIDE "T"-LEG INTO THE BOTTOM OF THE PANEL



SECOND POSITION ANCHOR TOWARDS INSIDE OF WORK AREA AND BOLT ANCHOR TO THE GROUND

FIRST HOOK ANCHOR ONTO ADJ. LEVELER

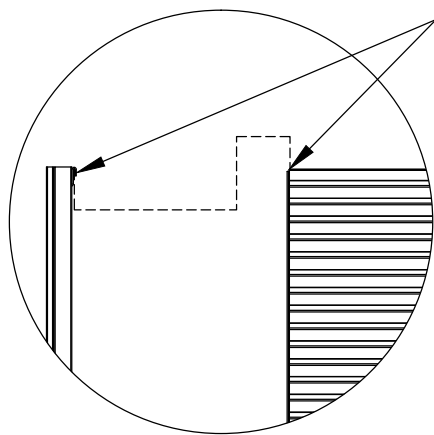


SET ALL LEVELERS AT 1/4"

ANCHOR DETAIL
TO BE INSTALLED BY G.C. using Power Wedge Bolt
express fasteners - 3/8" x 2-1/8"
(REPEAT PROCESS FOR EVERY ADJ. LEVELER)

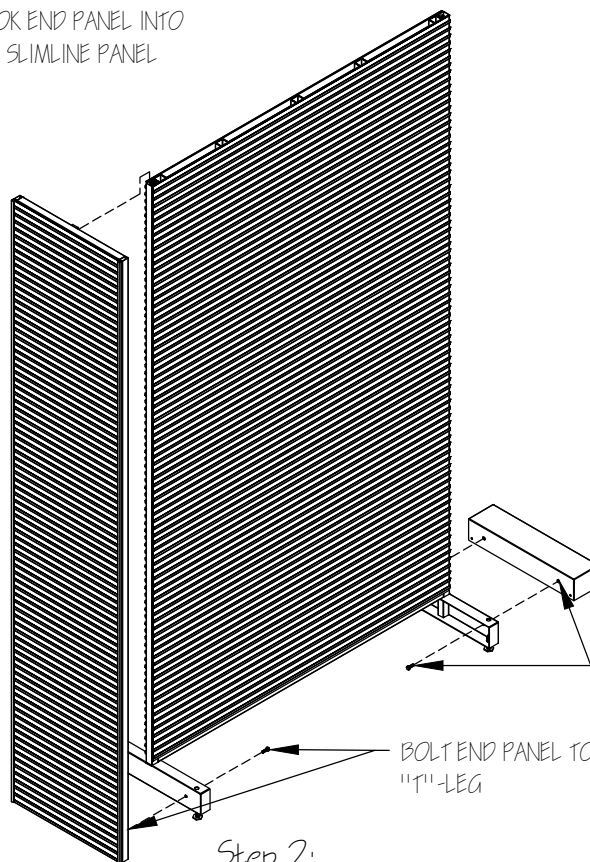
Step 1:

Slide the "T"-leg into the bottom of the Uniweb panel, While the panel is laying shape up on the floor



ENLARGED VIEW

HOOK END PANEL INTO THE SLIMLINE PANEL



BOLT SPACER TO "T"-LEG

BOLT END PANEL TO "T"-LEG



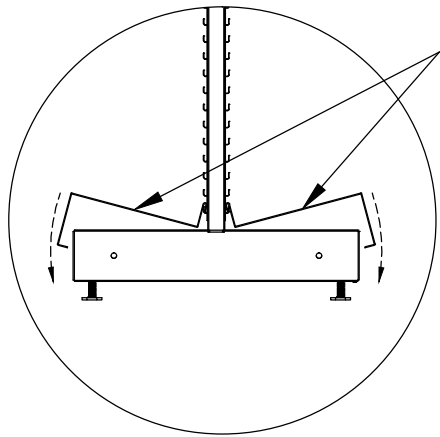
HEX BOLT
1/4-20 x 3/4

Step 2:

Hook end panel to slimline, Then bolt end panel through the "T"-leg, Bolt spacer through the back "T"-leg

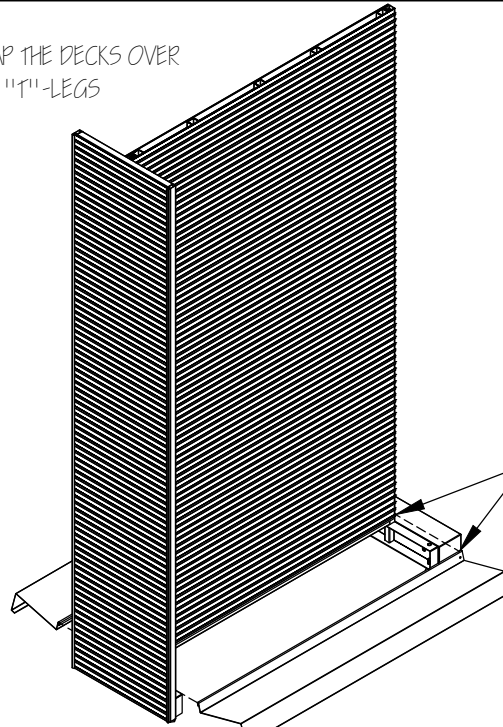
UNIWEB INC.

Installation Instructions



SNAP THE DECKS OVER THE "T"-LEGS

ENLARGED VIEW

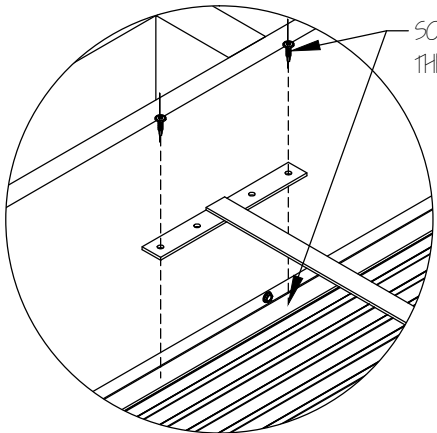


HOOK THE METAL DECK TO THE FIRST UNIWEB RIB

SEE PAGE 3 FOR ANCHOR DETAIL

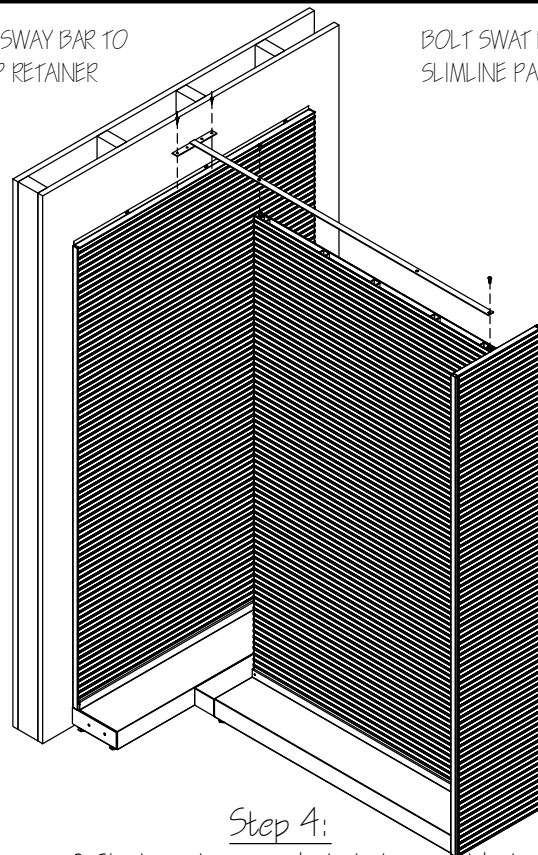
Step 3:

Hook the metal decks to the first Uniweb rib, Then snap the metal decks over the "T"-leg

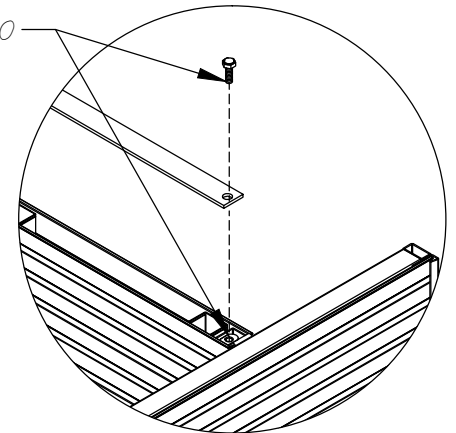


SCREW SWAY BAR TO THE TOP RETAINER

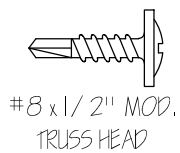
ENLARGED VIEW



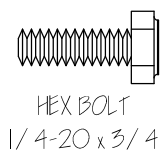
BOLT SWAY BAR TO SLIMLINE PANEL



ENLARGED VIEW



#8 x 1/2" MOD. TRUSS HEAD



HEX BOLT 1/4-20 x 3/4

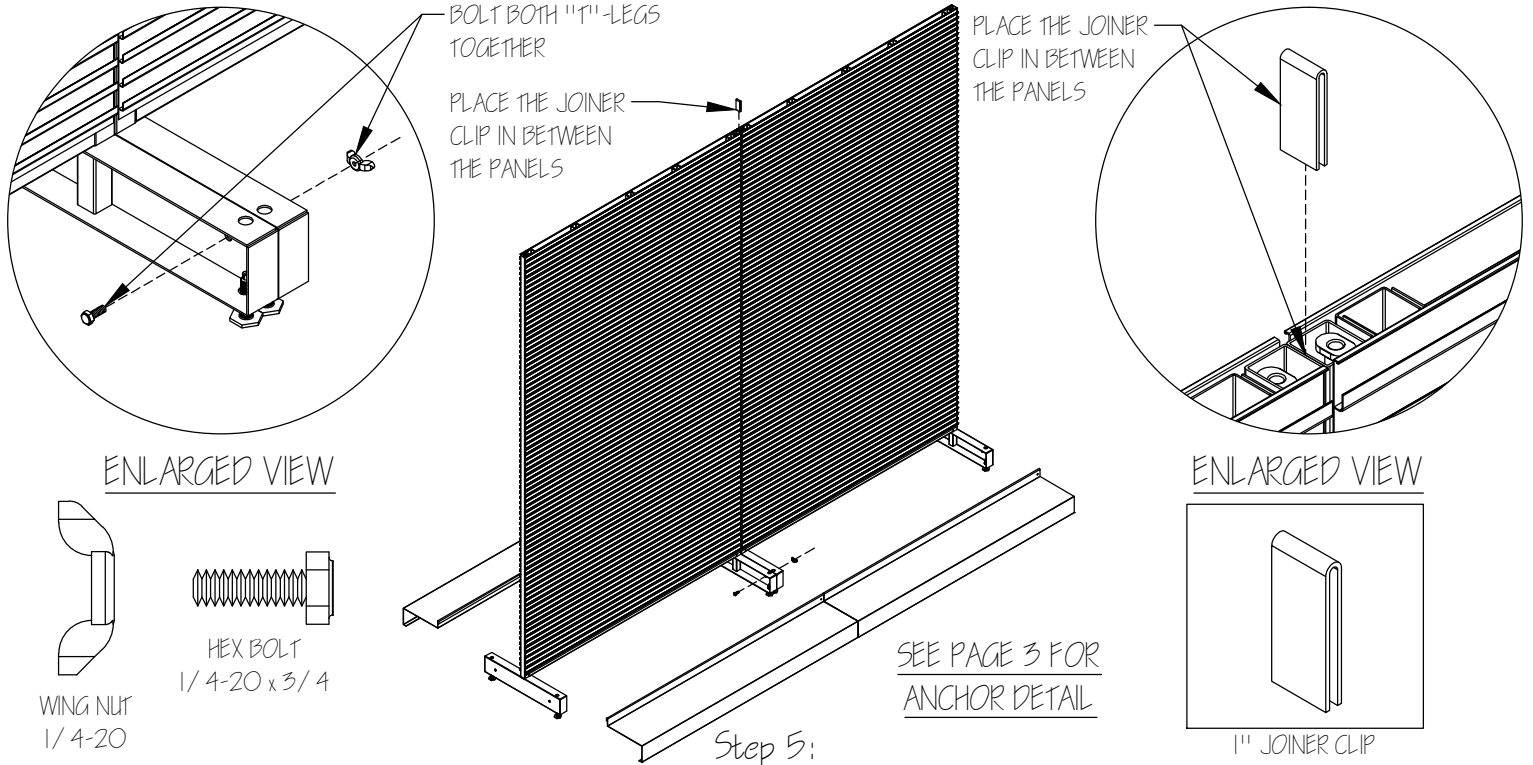
Step 4:

Place sway bar on top of Slimline, Line up bolt holes and bolt the sway bar down.

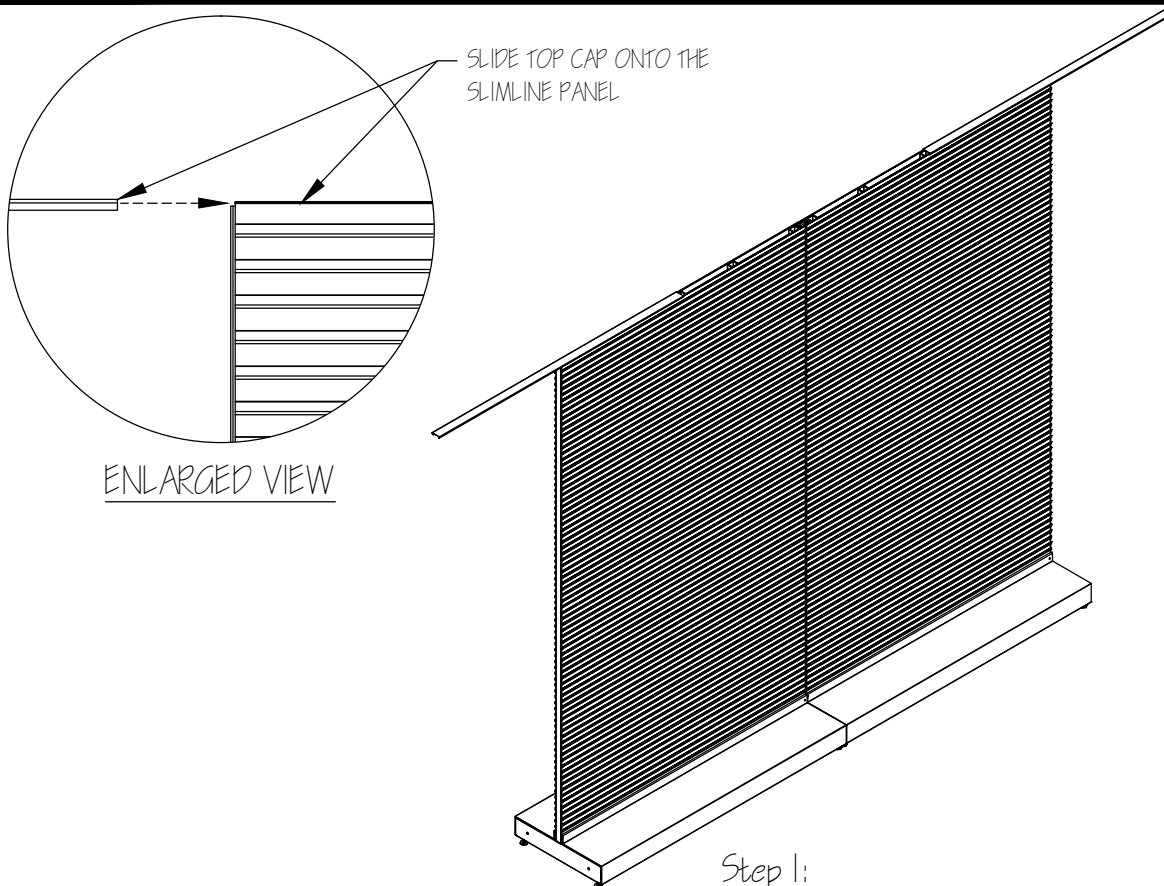
Then screw the sway bar to the top retainer

UNIWEB INC.

Installation Instructions



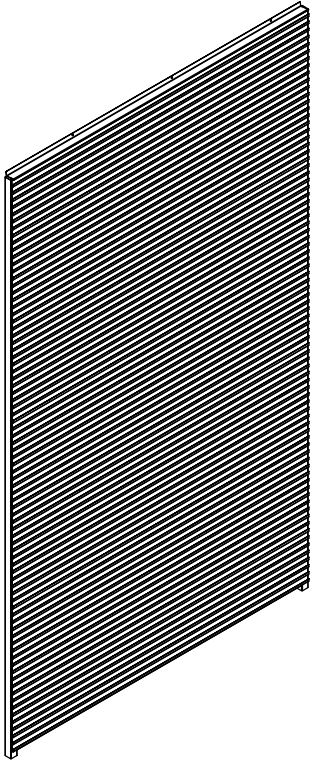
Place joiner clip in between the panels. Bolt the "L"-leg together, Then snap the metal deck into place.



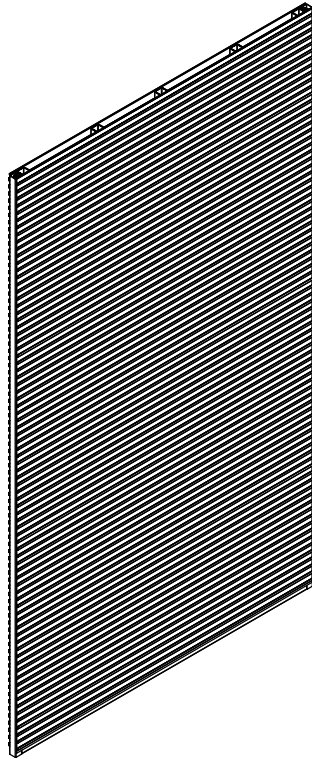
Slide top cap onto slimline panel, Slide from the outside in.

UNIWEB INC.

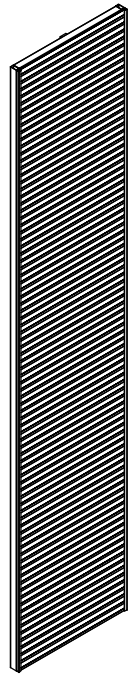
Installation Instructions



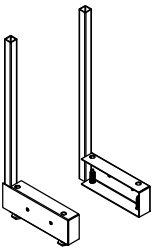
SYSTEM 88 PANEL



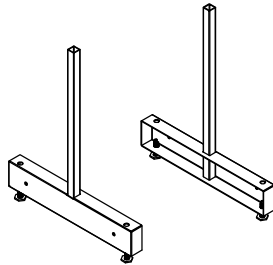
SLIMLINE PANEL



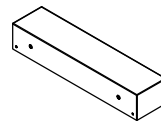
END PANEL



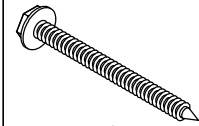
"L" LEG



"T" LEG



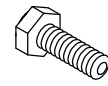
SYSTEM 88 SPACER



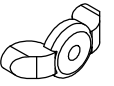
#10 x 1-3/4" HEX SHEET METAL SCREW



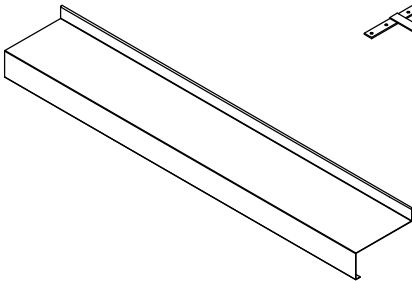
#10 x 3/4" MOD TRUSS SELF-TAP



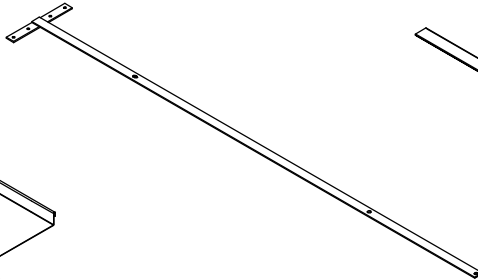
1/4-20 x 3/4" HEX BOLT



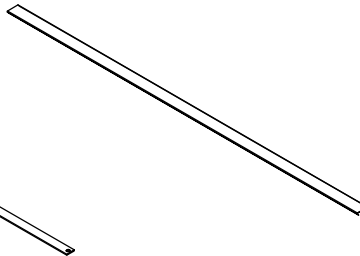
1/4-20 WING NUT



METAL DECK



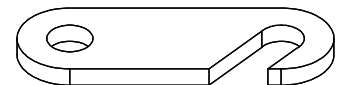
SWAY BAR



TOP CAP



1" JOINER CLIP



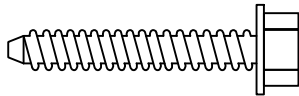
ANCHOR PLATE
8GA. 3" L x 1" W

What Uniweb's Warranty Covers

Uniweb will repair or replace, at its discretion, any panel or accessory found to be defective in material or workmanship for the life of the product to the original owner when used/ installed in the manner specified. Simply return the product, prepaid, with a copy of the original receipt or proof of purchase to Uniweb Inc., 222 South Promenade Avenue, Corona, Ca. 92879 or call 1-800-4-UNIWEB

UNIWEB INC.

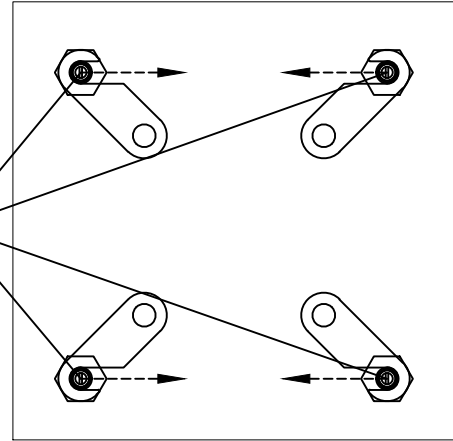
Installation Instructions



ANCHOR DETAIL
POWER WEDGE BOLT
EXPRESS FASTNERS
3/8 x 2-1/8

MAKE SURE ANCHOR
BRACKETS ARE ALL
FACE IN THE OPPOSITE
DIRECTION

ANCHOR BRACKET IS
8GA. 3"L x 1"W



ANCHOR PATTERN EXAMPLE