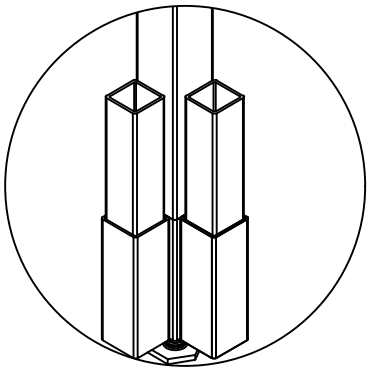
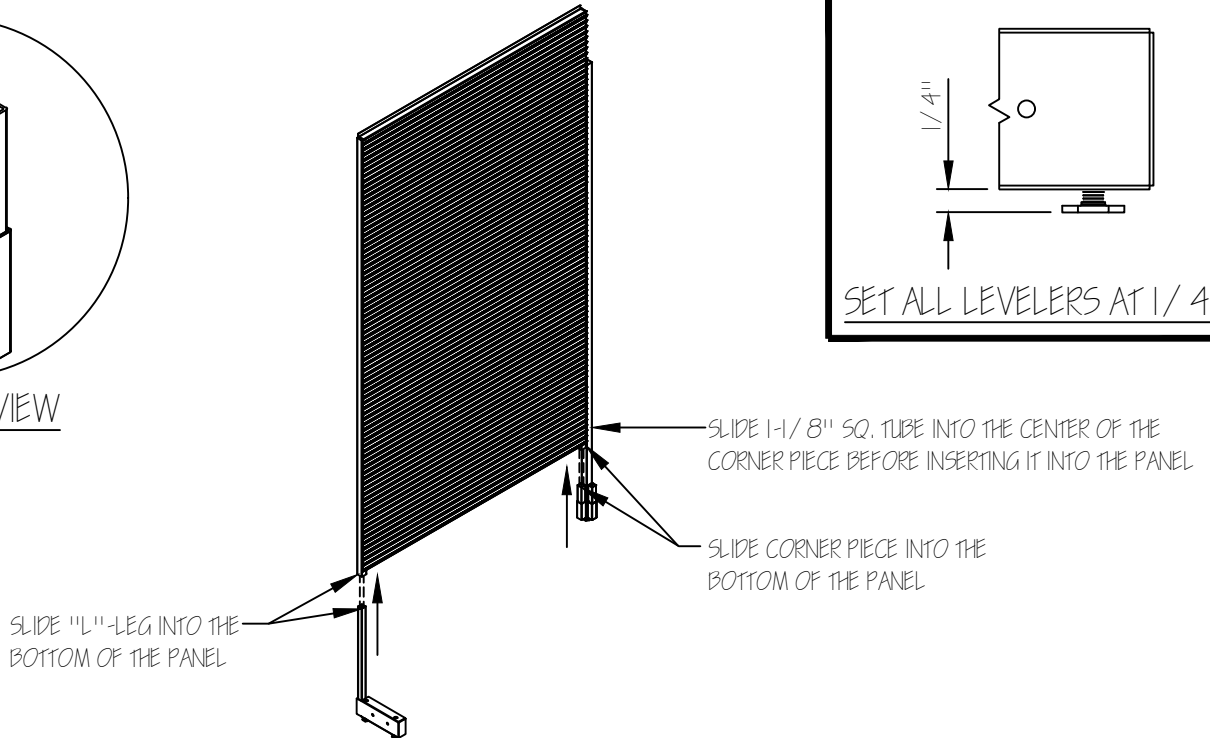
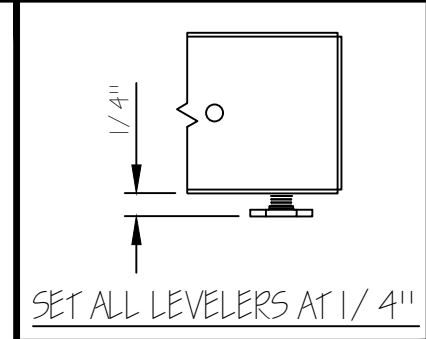


UNIWEB INC.

Installation Instructions

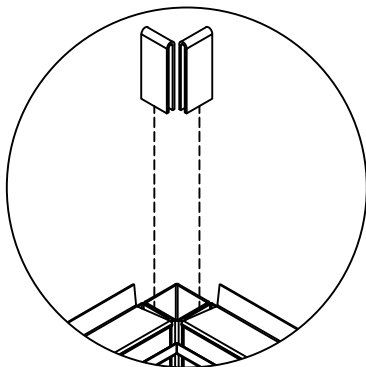


ENLARGED VIEW

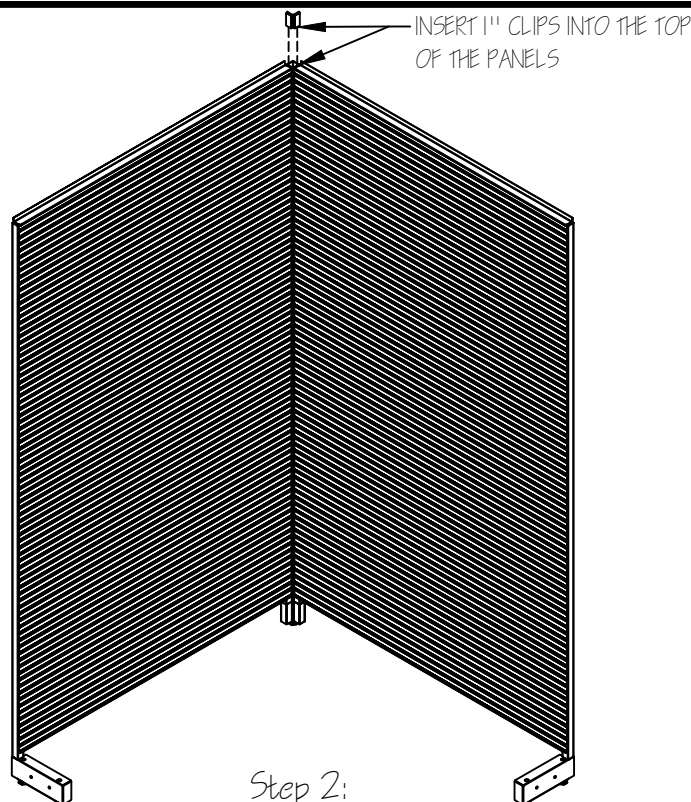


Step 1:

Slide the "L"-leg and Corner Piece into the bottom of the Uniweb panel, While the panel is laying shape up on the floor



ENLARGED VIEW

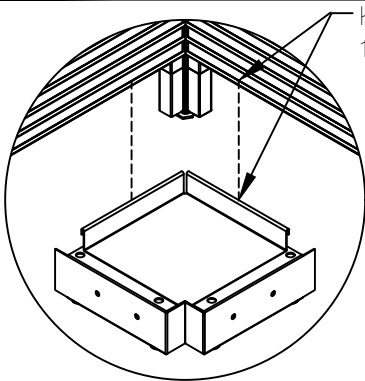


Step 2:

Insert 1" clips into the top of the panels and into the 1-1/8" SQ. tube to connect the panels to the corner

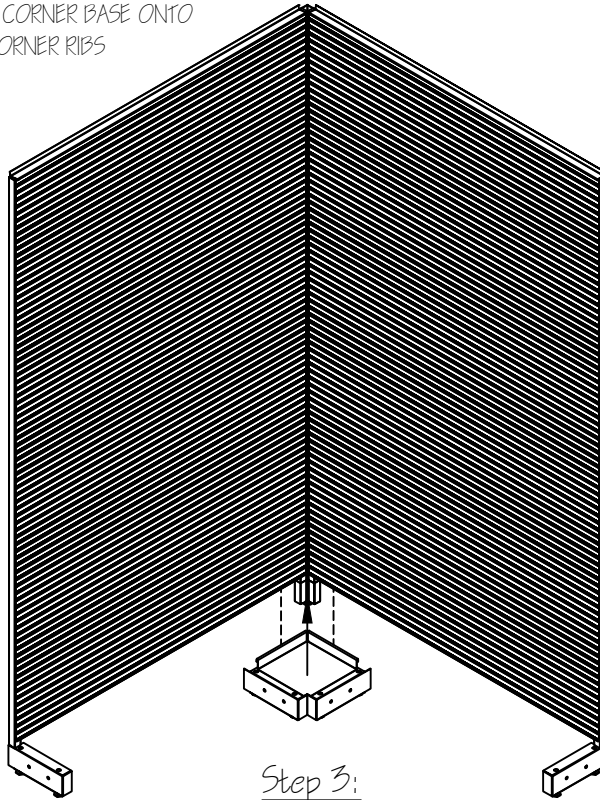
UNIWEB INC.

Installation Instructions



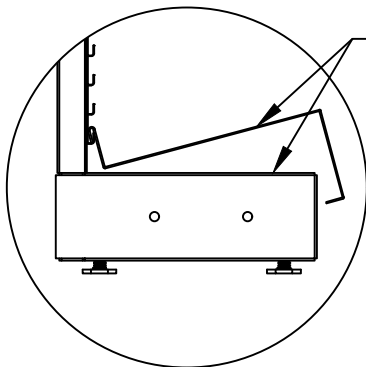
HANG CORNER BASE ONTO THE CORNER RIBS

ENLARGED VIEW



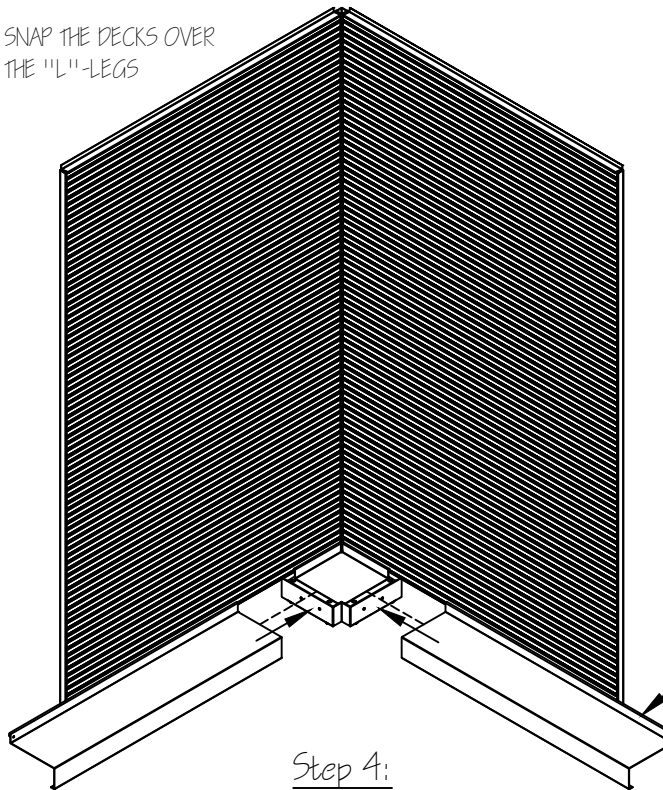
Step 3:

Hang the Corner Base onto the corner ribs. Square the Corner Base up



SNAP THE DECKS OVER THE "L"-LEGS

ENLARGED VIEW



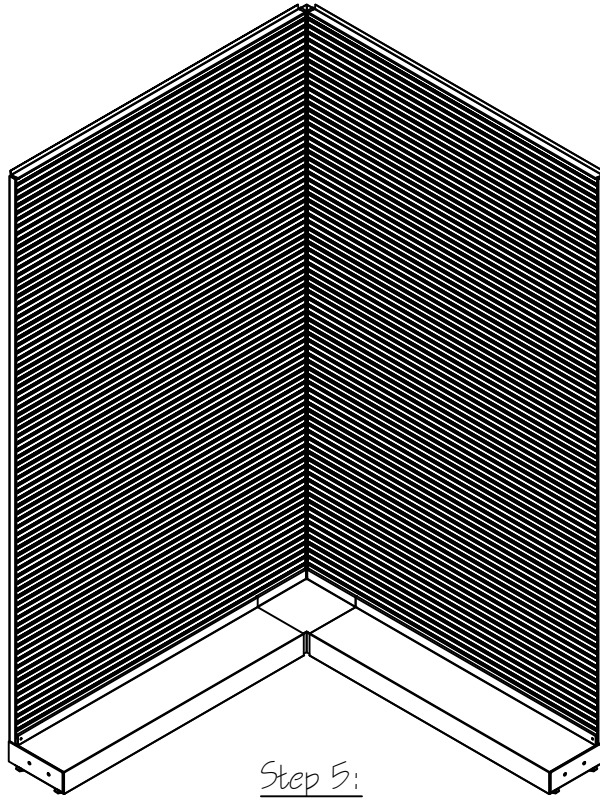
Step 4:

HANG THE DECK ON THE RIB AND LINE IT UP WITH THE CORNER BASE

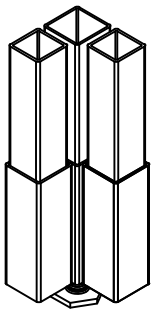
Hook the Metal Deck onto the rib slide or snap the deck onto the "L"-Leg, Then line it up with the Corner Base

UNIWEB INC.

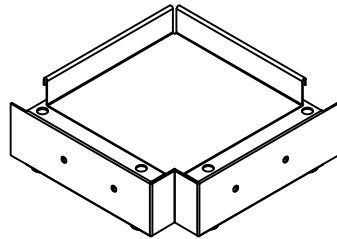
Installation Instructions



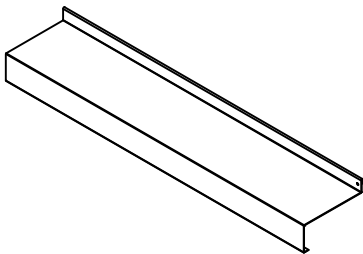
Step 5:
Finished Product



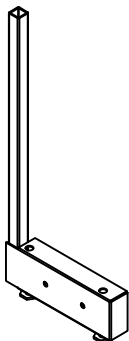
CORNER STUB LEG



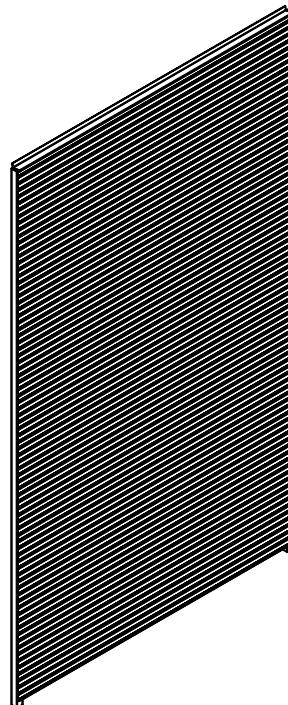
CORNER BASE



METAL DECK



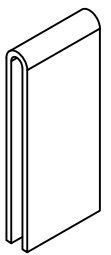
"L"-LEG



SYSTEM 88 PANEL



CORNER TUBE



1" CLIP