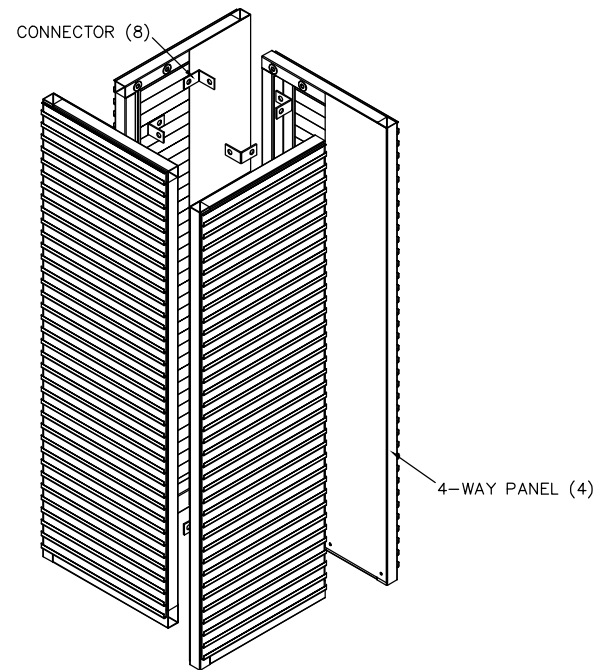
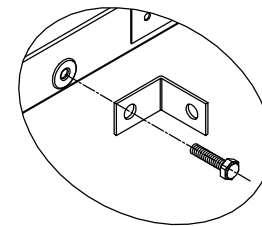


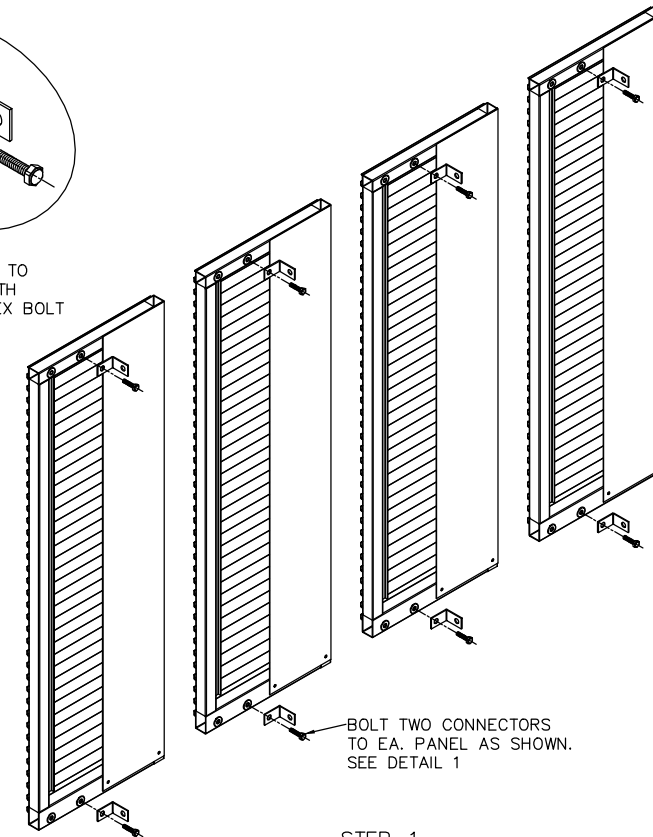
ASSEMBLED VIEW



EXPLODED ASSEMBLY VIEW

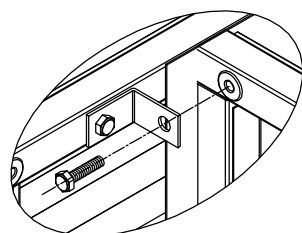


Detail 1  
BOLT CONNECTOR TO  
4-WAY PANEL WITH  
1/4-20x3/4" L HEX BOLT

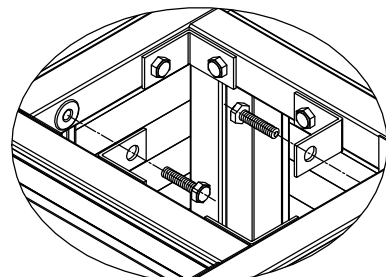


BOLT TWO CONNECTORS  
TO EA. PANEL AS SHOWN.  
SEE DETAIL 1

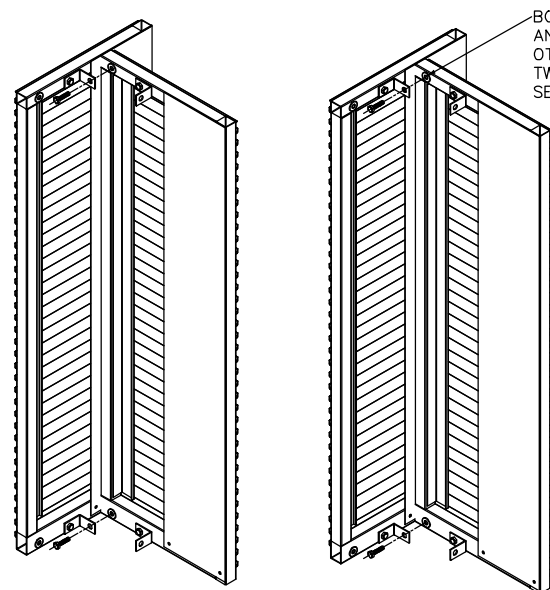
STEP-1



Detail 2  
BOLT PANELS TOGETHER WITH  
1/4-20x3/4" L HEX BOLT

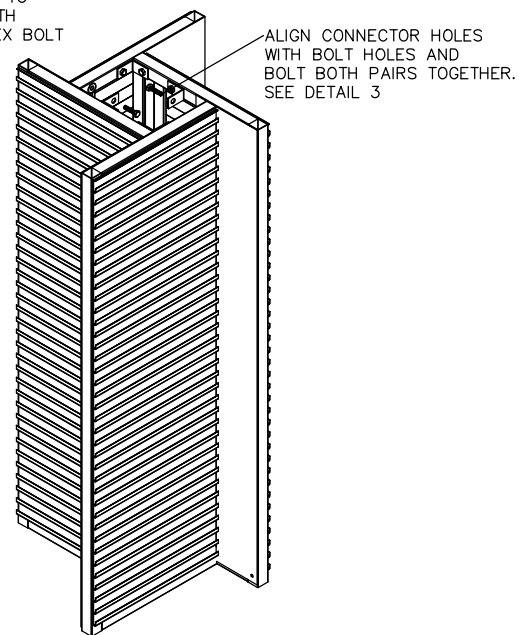


Detail 3  
BOLT CONNECTOR TO  
4-WAY PANEL WITH  
1/4-20x3/4" L HEX BOLT



BOLT TOGETHER TWO PANELS  
AND BOLT TOGETHER THE  
OTHER TWO PANELS. CREATING  
TWO PAIRS AS SHOWN.  
SEE DETAIL 2

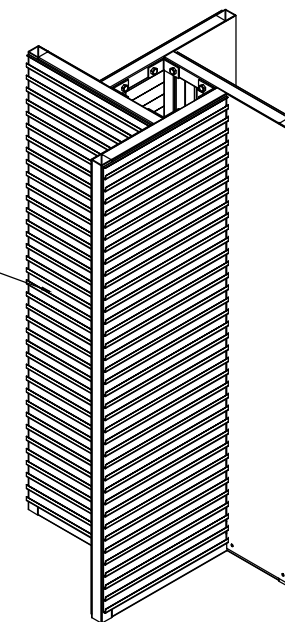
STEP-2



ALIGN CONNECTOR HOLES  
WITH BOLT HOLES AND  
BOLT BOTH PAIRS TOGETHER.  
SEE DETAIL 3

STEP-3

ATTACH 4-WAY PANELS TO  
WOOD TRIMMING PROVIDED  
BY OTHERS AND HOOK  
ACCESSORIES ONTO UNIWEB



FINAL STEP

REVISIONS	DATE	BY

This plan is primarily a general arrangement of equipment for the convenience of contractors and is made from the available information. All measurements are to be verified on the job. Where applicable plumbing, electrical, and refrigeration have been located as accurately as possible and are intended to suit equipment to be applied. We accept no responsibility for the work done by such contractors. Building codes, conditions, and instructions for the equipment may change without notice. The manufacturer's instructions for the equipment must be followed. All dimensions are in inches unless otherwise specified. All dimensions must be indicated in writing.

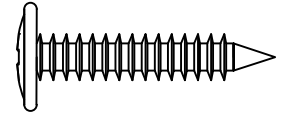
**UNIWEB, INC.**  
222 S. Promenade Ave.  
Corona, CA 92879  
(909) 279-7999  
www.uniwebinc.com



Installation Drawings  
4-Way Spinner

DRAWN Carlos Méndez	CHECKED
DATE 3-21-01	SCALE N.T.S.
FILE NO. install-4w	SHEET 3

3 OF 3 SHEETS



#8 x 3/4" PAN  
HEAD PHILLIPS

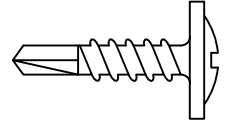
SCREW BRACKETS  
TO THE WOOD BASE

ROTATING PLATES  
UNDERNEATH BRACKET

ISO VIEW

4-Way Base Detail

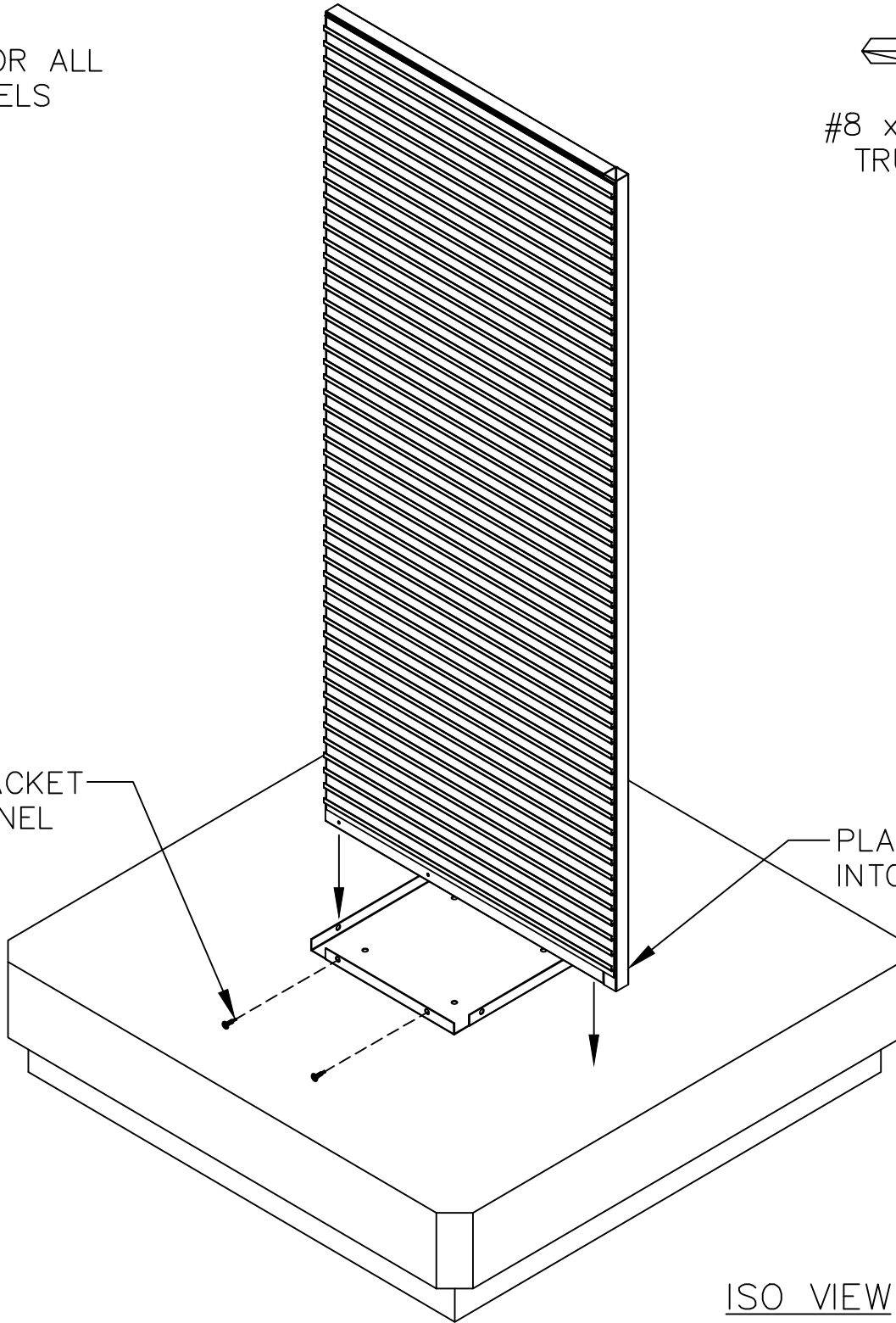
NOTE:  
REPEAT FOR ALL  
FOUR PANELS



#8 x 1/2" MOD.  
TRUSS HEAD

SCREW BRACKET  
TO THE PANEL

PLACE PANEL  
INTO BRACKET

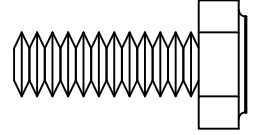


ISO VIEW

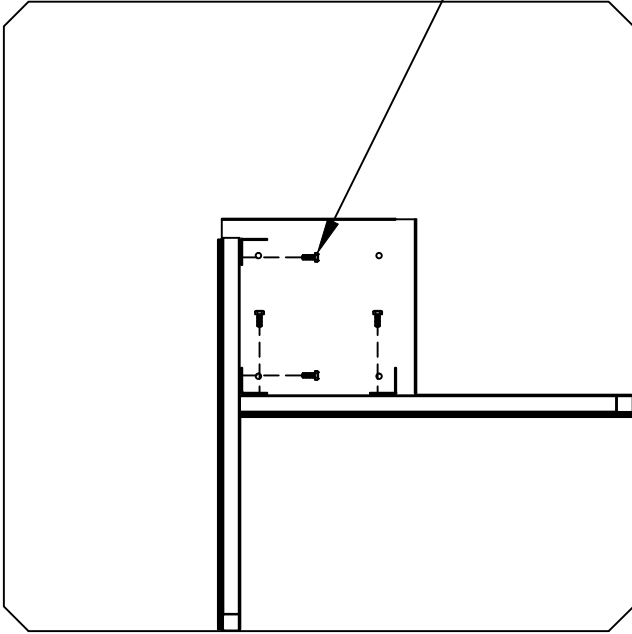
4-Way Panel Detail

NOTE:  
REPEAT FOR ALL  
FOUR PANELS

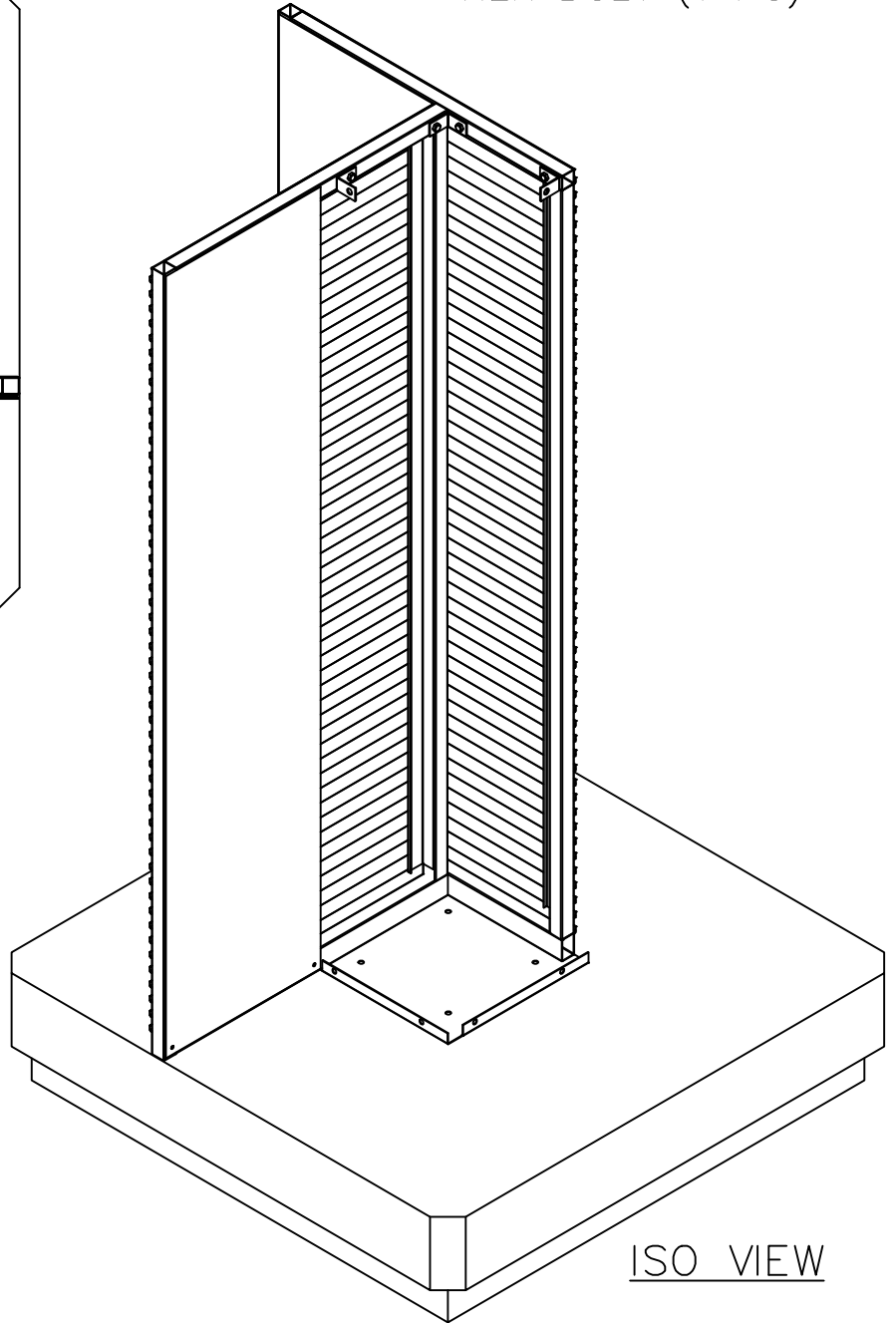
BOLT "L" BRACKET  
TO PANEL



1/4-20 X 3/4" L  
HEX BOLT (1 PC)



SIDE VIEW



ISO VIEW

4-Way Panel Detail 2

**UNIWEB INC.**  
 We Create New Space  
 222 So. Promenade Ave. Corona Ca, 92879  
 (951) 279-7999 1-800-4-UNIWEB UNIWEBINC.COM

**PART #:**  
**INSTALLATION INSTRUCTIONS**  
**4-WAY**

**DRAWN BY:** AV  
**DATE:** 9-7-16  
**REV:**  
**4 OF 4**

